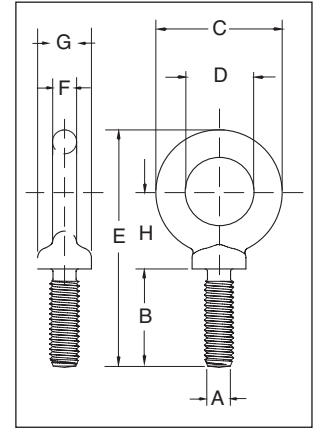


Forged Machinery Eye Bolts



S-279 / M-279
Shoulder Type
Machinery Eye Bolts

- Forged Steel - Quenched & Tempered.
- Working Load Limits shown are for in-line pull. For angle loading, see page 200.
- Fatigue rated at 1-1/2 times the Working Load Limit at 20,000 cycles.
- Recommended for in-line pull.
- S-279 threaded UNC.
- M-279 metric threaded.
- Meets or exceeds all requirements of ASME B30.26 including identification, ductility, design factor, proof load and temperature requirements. Importantly, these bolts meet other critical performance requirements including fatigue life, impact properties and material traceability, not addressed by ASME B30.26.



Fatigue Rated



S-279 UNC Shoulder Type Machinery Eye Bolts

Size (in)	S-279 Stock No.	Working Load Limit (lb)*	Weight Per 100 (lb)	Dimensions (in)							
				A** Thread	B	C	D	E	F	G	H
1/4 x 1	9900182	650	5.00	1/4 - 20	1.02	1.13	.75	2.29	.19	.53	.77
5/16 x 1-1/8	9900191	1200	9.00	5/16 - 18	1.15	1.38	.88	2.74	.25	.59	.95
3/8 x 1-1/4	9900208	1550	15.00	3/8 - 16	1.27	1.62	1.00	3.07	.31	.69	1.05
1/2 x 1-1/2	9900217	2600	28.00	1/2 - 13	1.53	1.95	1.19	3.70	.38	.91	1.27
5/8 x 1-3/4	9900226	5200	55.00	5/8 - 11	1.79	2.38	1.38	4.45	.50	1.13	1.53
3/4 x 2	9900235	7200	96.00	3/4 - 10	2.05	2.76	1.50	5.07	.63	1.38	1.71
7/8 x 2-1/4	9900244	10600	154.00	7/8 - 9	2.31	3.25	1.75	5.87	.75	1.56	2.00
1 x 2-1/2	9900253	13300	238.00	1 - 8	2.57	3.76	2.00	6.66	.88	1.81	2.30
1-1/8 x 2-3/4	9900257	15000	320.00	1-1/8 - 7	2.75	4.19	2.25	7.20	.97	2.06	2.35
1-1/4 x 3	9900262	21000	399.00	1-1/4 - 7	3.09	4.50	2.50	7.95	1.00	2.28	2.73
1-1/2 x 3-1/2	9900271	24000	720.00	1-1/2 - 6	3.60	5.50	3.00	9.49	1.25	2.75	3.28
1-3/4 x 3-3/4	9900280	34000	1040.00	1-3/4 - 5	3.75	6.26	3.50	10.48	1.38	3.00	3.60
2 x 4	9900289	42000	1880.00	2 - 4-1/2	4.00	7.62	4.00	12.31	1.81	3.38	4.50
2-1/2 x 5	9900298	65000	3250.00	2-1/2 - 4	5.00	8.76	4.50	14.88	2.12	4.25	5.50

*Ultimate Load is 5 times the Working Load Limit. Maximum Proof Load is 2 times the Working Load Limit. ** All bolts threaded UNC.



M-279 Metric

Size (mm)	M-279 Stock No.	Working Load Limit (kg)*	Weight Each (kg)	Dimensions (mm)							
				A** Thread	B	C	D	E	F	G	H
M6 x 13	1045753	200	.03	M6 x 10	13.0	28.7	19.1	47.0	4.9	13.5	19.6
M8 x 13	1045789	400	.05	M8 x 125	13.0	35.1	22.4	54.6	6.4	15.0	24.1
M10 x 17	1045833	640	.07	M10 x 1.5	17.0	41.1	25.4	64.3	7.9	17.5	26.5
M12 x 20.5	1045869	1000	.11	M12 x 1.75	20.5	49.5	30.2	77.7	9.7	23.1	32.8
M16 x 27	1045913	1800	.25	M16 x 2.0	27.0	60.5	35.1	96.0	12.7	28.7	38.9
M20 x 30	1045995	2500	.42	M20 x 2.5	30.0	70.0	38.1	108	16.0	35.1	43.4
M24 x 36	1046029	4000	1.05	M24 x 3.0	36.0	95.5	51.0	142	22.4	46.0	58.4
M27 x 69.8	1046038	5000	1.42	M27 x 3.0	69.8	107	57.1	183	24.6	52.3	59.7
M30 x 45	1046075	6000	1.77	M30 x 3.5	45.0	114	63.5	171	25.4	58.0	69.3
M36 x 54	1046109	8500	3.12	M36 x 4.0	54.0	140	76.0	207	31.8	70.0	83.3
M42 x 95.2	1046118	14000	4.58	M42 x 4.5	95.2	159	88.9	266	35.0	76.2	91.4
M48 x 102	1046127	17300	8.71	M48 x 5.0	102	194	101	313	46.0	85.9	114
M64 x 127	1046136	29500	14.74	M64 x 6.0	127	223	114	378	53.8	108	140

*Ultimate Load is 5 times the Working Load Limit. Maximum Proof Load is 2 times the Working Load Limit. ** On Request: Special threading or as forged bolts for customer conversion.